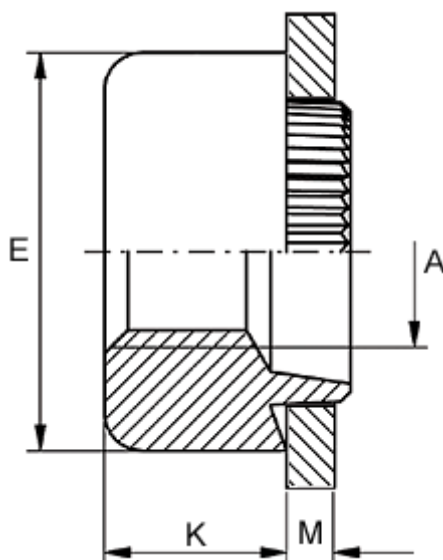


Article number: 12714000120800

Description: KLEE-coil 714 000 120.800
M12 Brass

Measures



Female thread A	= M12
Height K	= 10.0
Outer diameter E	= 25.0
Plate thickness	= 3.8 to 4.0
Recommended bore diameter for extreme load	= 19.0
Recommended bore diameter for normal use	= 20.0